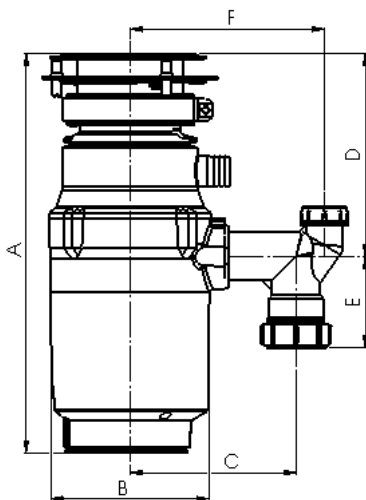


FWD-050G



*Efficient and reliable
Supreme grinding efficiency
Silent DC motor
Hygienic & convenient
Warranty 3-Year*

Knock-out for dishwasher drain



Measurements are in Millimeter

A : 328	B : 130
C : 136	D : 167
E : 75	F : 160

Features

- 1/2 Horsepower with high-speed permanent magnet motor 5500 rpm
- Fast grinding technology
- Corrosion proof stainless steel
- Manual reset for overload protection
- Handy wall switch operation
- Easy and convenient installation
- Trendy and unique gun metal color

Specifications

- Motor Speed : 5500 rpm
- Horsepower : 1/2 HP
- Voltage : 230-240 V
- Frequency: 50 Hz
- Current: 2.5 A
- Type of feed : Continuous
- Motor type : Permanent magnet DC motor
- Sound shell: No
- Overload protection : Manual reset
- Individual shipping weight : 4.8 kg

Materials

- Sink flange : Stainless steel
- Hopper : Glass filled nylon
- Swivel impeller : Stainless steel
- Grind ring : Heavy gauge galvanized steel
- Turntable : Heavy gauge galvanized steel

Optional accessories

- Lock Mount
- Sink Baffle
- Stopper
- Flange
- Plumbing Kit